

MAXLink™ Video Optical Amplifier HOA 8230

Product Description

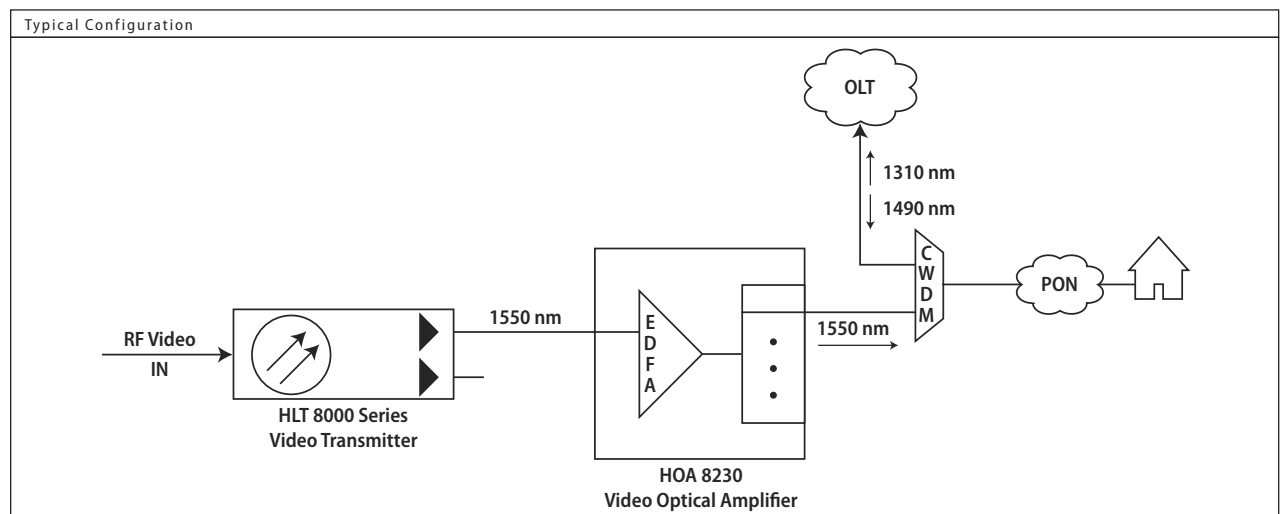
The Harmonic MAXLink™ HOA 8230 Video Optical Amplifier is specifically designed to provide cost-effective optical amplification of 1550 nm RF video signals in FSAN compliant passive optical networks (PONs).

The HOA 8230 is a 2 rack-unit, 12" deep, stand-alone module for 19" or 23" racks, and provides 6 or 8 optical outputs of 22/21 dBm (160/125mW) each.

The system meets NEBS 3 requirements.

Key Features

- 30 dBm (1000 mW) composite output power, 6 or 8 optical output ports of 22/21 dBm (160/125 mW) each
- Output power of 22/21 dBm (160/125 mW) per port complements industry-leading SBS suppression of Harmonic MAXLink Plus Video Transmitter (HLT 8000 series)
- Embedded SNMP agent
- Support of SCTE, HMS MIBs in addition to enterprise MIBs
- Embedded Web (HTTP) server for easy to use graphical user interface
- SC-APC or E2000 connectors
- Extended temperature available



Optical Interfaces

Optical Outputs	6 or 8
Output per Port	22/21 dBm
Input Range	-5 to +10 dBm
Noise Figure	< 6.0 dB @ 0 dBm optical input
Polarization Sensitivity	0.5 dB
Connector Type	SC APC or E2000
Wavelength	1550 nm to 1560 nm

User Interface

Front Panel LEDs	Power on (green), Status (red/green), Laser output enabled (green), Laser on (green)
Optical Test Point	Power level -3 to +1 dBm
Rear Panel Power supply connector	
Laser enabled/off switch	
Low optical power mode manual switch	
RJ45 connector	
LED	Laser output enabled

Power

DC Input	-48 VDC nominal -36 to -72 VDC
AC Input	90 to 254V, 47 to 63 Hz
Consumption	75 watts maximum

Environmental

Operating Temperature (Central Office Version)	0° to 50° C 32° to 122° F
Operating Temperature (Extended)	-40° to +65° C -40° to +149° F
Storage Temperature Range	-40° to +70° C -40° to +158° F

Physical

Dimensions (WxHxD)	19.0" x 3.4" x 12.0" (2-RU) 48.3 cm x 8.6 cm x 30.5 cm
Weight	20.5 lbs. / 9.3 kg
Mounting	19" rack or 23" rack

Other

NEBS Level 3 Compliant	
Agency Certifications	UL 60950, CSA60950 (cTUVus) FCC Part 15 Class A, VCCI, CDRH EN60950, EN60825-1 (TUV GS-mark) EN55022 Class A, EN55024 (TUV EMC-mark, CE)

Ordering Information

HOA 8230-w-xx-y-z	
w= 6	6 ports with 22 dBm per port
w=8	8 ports with 21 dBm per port
xx=AS	SC APC
xx=AE	E2000
y=A	AC powering
y=D	DC powering
z=C	0° to 50° C temperature range
z=R	-40° to +65° C temperature range

