

MAXLink™ Optical Switch Module HOS 7100

Product Description

The HOS 7100 optical switch is a stand-alone 1-RU module utilized in transport of analog content, and is part of the MAXLink™ product family. It facilitates automatic and cost-effective network backup and redundancy, increasing optical distribution plant reliability and providing for a self-healing network. The slim 1-RU form factor of the HOS 7100 simplifies installation and operation, and also conserves valuable rack space.

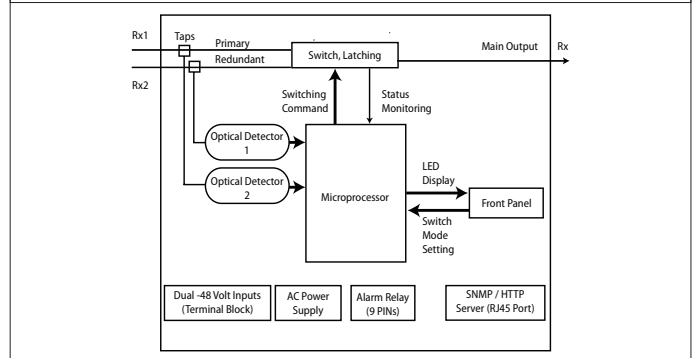
The HOS 7100 offers a wide input range (-10 to +20 dBm) to meet a variety of application needs. Each optical switch has two optical inputs and a single optical output, and can be operated as a 1x2 or a 2x1 optical switch. An internal optical detector measures the input optical level and switches when the optical level drops below the threshold set by the user. The switch is fully connectorized with a 2.0 dB maximum insertion loss.

The HOS 7100 provides a user-friendly front panel display and push-button controls. Additionally, the MAXLink optical switch offers built-in element management capabilities as well as an HTTP and SNMP interface.

Applications

- Redundant rings
- Route diversity

HOS 7100 Component Diagram



Advantages

The HOS 7100 optical switch enhances the advantages of the MAXLink product family, by allowing operators to:

- Reduce system costs by eliminating the need for back-up transmitters
- Increase system reliability and reduce downtime with automatic switching capabilities
- Increase flexibility in configuration and operation with local or remote control of switches
- Operate in both 1310 nm and 1510 nm windows
- Satisfy a variety of applications with wide input range

Optical and Electrical Performance

Insertion Loss	2.0 dB maximum including connector loss
Wavelength	1290 nm - 1330 nm or 1525 nm - 1610 nm
Crosstalk	< -55 dB optical
Back-reflection	< 50 dB
Repeatability	< 0.1 dB
Switching Speed	< 50 ms

Optical Input

Input Range	-10 to +20 dBm
Number of Inputs per Switch	2

Optical Output

Number of Outputs per Switch	1
Connector Type	
HOS 7100-AS	SC/APC
HOS 7100-AF	FC/APC
HOS 7100-US	SC/UPC
HOS 7100-UF	FC/UPC
HOS 7100-AE	E2000/APC
HOS 7100-UE	E2000/UPC

User Interface

Front Panel	Bi-state status LED Normal = Green; Alarm = Red (See manual for list of alarms)
-------------	---

Power Requirements

Consumption	< 20 W
AC Version	100 to 240 V 50 to 60 Hz
DC Version	-48 V

Environmental

Operating Temperature Range	0° to 50° C / 32° to 122° F
Storage Temperature Range	-20° to +70° C / -40° to +158° F
Relative Humidity	Maximum 90% non-condensing

Physical

Dimensions (WxHxD)	44.5 cm x 4.5 cm x 30.5 cm 17.5" x 1.75" x 12"
Weight	4.5 kg / 9.9 lbs.
Mounting	19" or 23" rack mount

